

TVS Diodes

Transient Voltage Suppression Diodes

SM8TxxCA Series



Description

Transient Voltage Suppressor (TVS) is a circuit protection component that either attenuates (reduces) or filters a transient voltage spike (overvoltage), TVS diodes provide critical protection by going into avalanche breakdown within no more than a few nanoseconds after a strike, clamping the transient voltage, and routing its current to the ground.

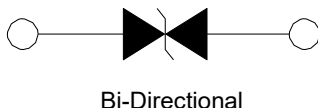
Applications

- Communication Equipment
- Security & Protection
- Industrial Control Equipment
- Power Supply
- Automotive Electronics
- New Energy
- Lightning Protection

Features

- AEC-Q101 Qualified
- Junction passivation optimized design passivated anisotropic rectifier technology
- $T_J = 175\text{ }^\circ\text{C}$ capability suitable for high reliability and automotive requirement
- Available in bi-directional polarity only
- Low leakage current
- Low forward voltage drop
- High surge capability
- Meets ISO16750-2 surge specification(varied by test condition)
- Meets MSL-1, per J-STD-020, LF maximum peak of $260\text{ }^\circ\text{C}$
- Compliant to RoHS directive 2011/65/EU and in accordance to WEEE 2002/96/EC

Functional Diagram

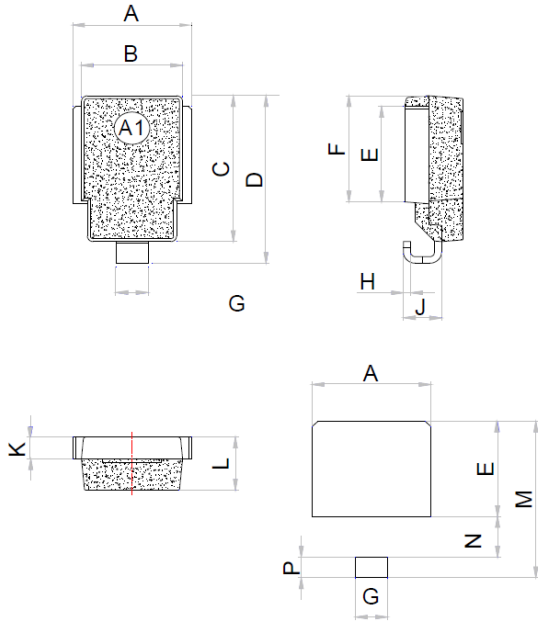


TVS Diodes

Transient Voltage Suppression Diodes

SM8TxxCA Series

Package Outline Dimensions (DO-218AB)



Symbol	Millimeters		Inches	
	Min.	Max.	Min.	Max.
A	9.5	10.5	0.374	0.413
B	8.3	8.7	0.327	0.342
C	13.3	13.7	0.524	0.539
D	15.0	16.0	0.592	0.628
E	8.5	9.1	0.335	0.358
F	9.5	10.1	0.374	0.398
G	2.4	3.0	0.094	0.118
H	0.5	0.7	0.020	0.028
J	2.7	3.7	0.106	0.146
K	1.9	2.1	0.075	0.083
L	4.7	5.1	0.185	0.201
M	14.2	14.8	0.559	0.583
N	3.5	4.1	0.138	0.161
P	1.6	2.2	0.063	0.087

Maximum Ratings and Characteristics

(Ratings at 25°C ambient temperature unless otherwise specified.)

Parameter	Symbol	Value	Unit
Peak pulse power dissipation on 10/1000 μ S waveform	P_{PPM}	8000	W
Peak pulse power dissipation on 10/10000 μ S waveform	P_{PPM}	6000	W
Peak Power Dissipation on Infinite Heat Sink at $T_C=50^\circ\text{C}$	P_D	8.5	W
Peak pulse current with 10/1000 μ S waveform	I_{PPM}	See page 5	A
Operating junction and storage temperature range	T_J, T_{STG}	-55 to 175	$^\circ\text{C}$
Typical Thermal Resistance Junction to Lead	$R_{\theta JL}$	0.85	$^\circ\text{C} / \text{W}$
Typical Thermal Resistance Junction to Ambient	$R_{\theta JA}$	11	$^\circ\text{C} / \text{W}$

Note:

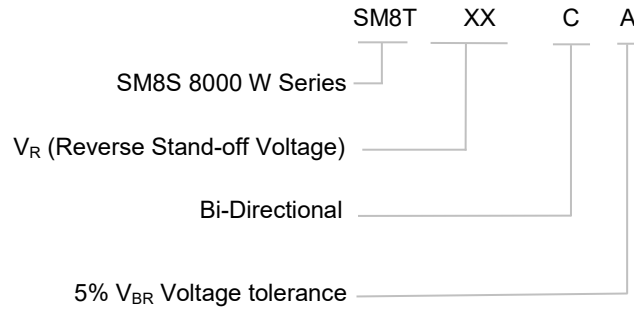
1. Non-repetitive current pulse derated above $T_A = 25^\circ\text{C}$.

TVS Diodes

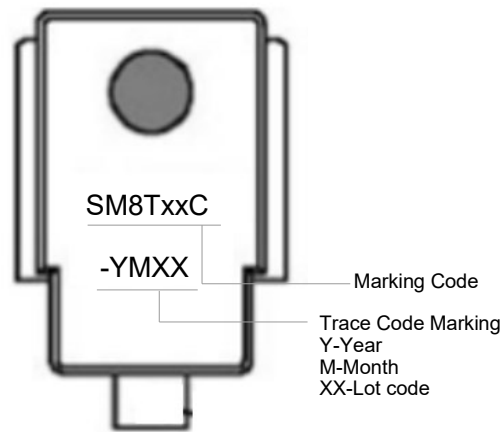
Transient Voltage Suppression Diodes

SM8TxxCA Series

Part Numbering System



Marking



TVS Diodes

Transient Voltage Suppression Diodes

SM8TxxCA Series

Electrical Characteristics (T_A=25 °C unless otherwise noted)Table 1

Part Number	Breakdown Voltage V _{BR} @I _T		Test Current I _T	Reverse Stand-off Voltage V _R	Max. Reverse Leakage I _R @V _R		Max. Peak Pulse Current I _{PPM}	Max. Clamping Voltage V _C @I _{PPM}
	Min	Max			(μA @ 25 °C)	(μA @ 175 °C)		
Uni	(V)		(mA)	(V)	(μA @ 25 °C)	(μA @ 175 °C)	(A)	(V)
SM8T33CA	36.7	40.6	5	33	5	150	150	53.3
SM8T36CA	40.0	44.2	5	36	5	150	138	58.1

Performance Curve for Reference ($T_A=25^\circ\text{C}$ unless otherwise noted)

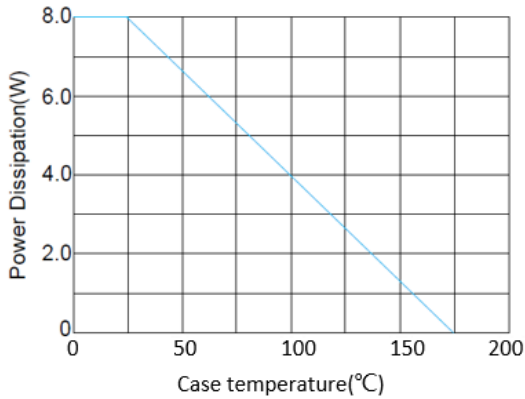


FIGURE 1
Power Derating Curve

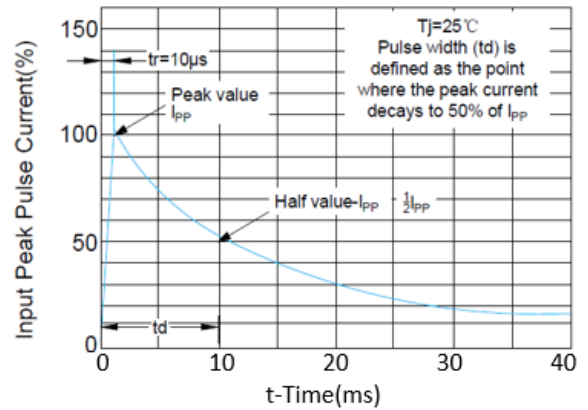


FIGURE 2
Pulse Waveform

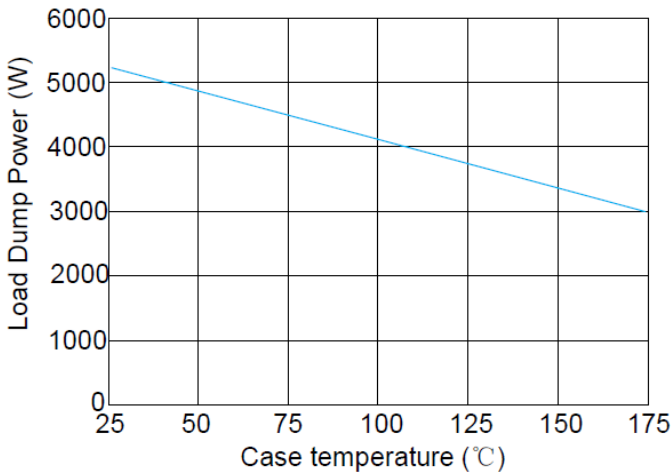


FIGURE 3
Load Dump Power Characteristics
(10 mS Exponential Waveform)

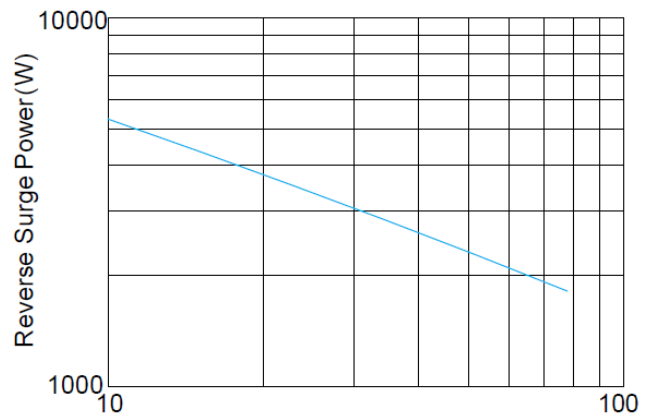


FIGURE 4
Reverse Power Capability

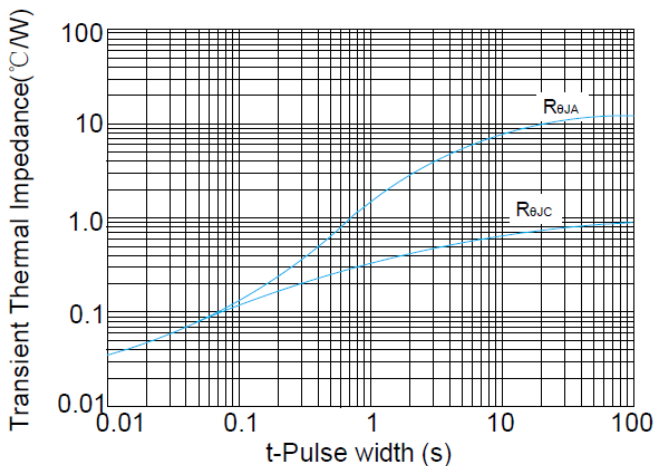


FIGURE 5
Typical Transient Thermal Impedance

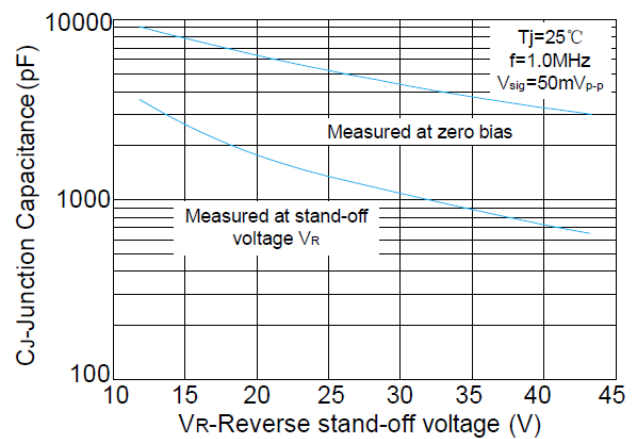
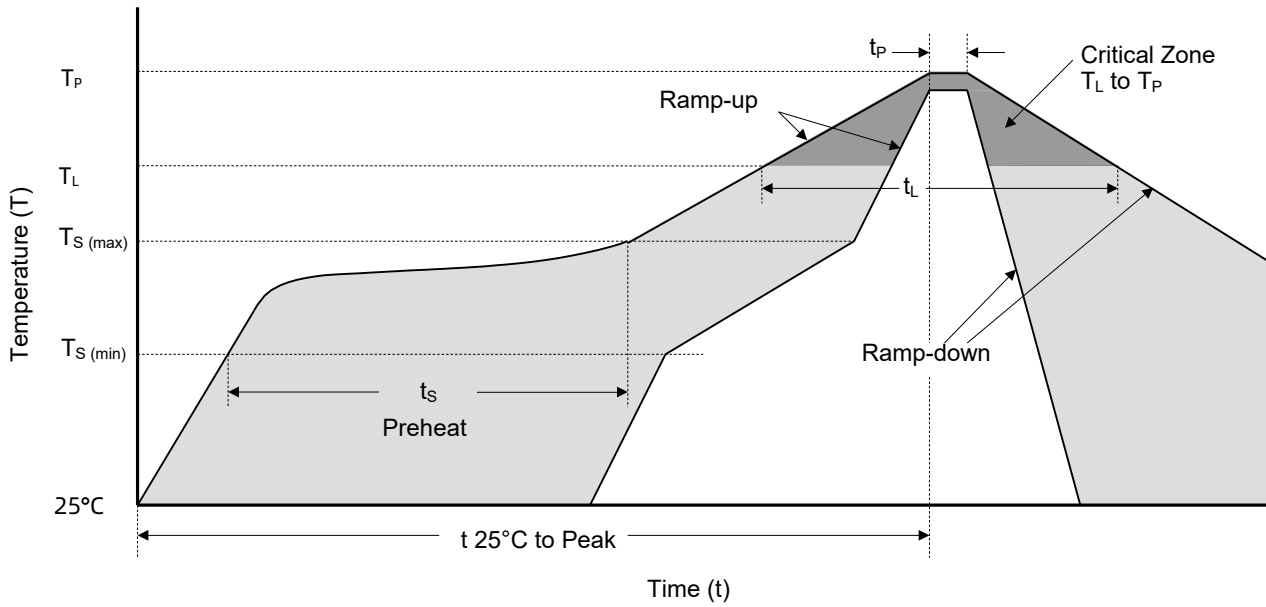


FIGURE 6
Typical Junction Capacitance

Soldering Parameters



Reflowing Condition

Reflow Soldering Parameters		Lead-Free Assembly
Pre-heat	Temperature Min ($T_{S (min)}$)	150 °C
	Temperature Max ($T_{S (max)}$)	200 °C
	Time (min to max) (t_s)	60 ~ 180 seconds
Average Ramp Up Rate (Liquidus Temp (T_L) to Peak)		3 °C / second max.
$T_{S (max)}$ to T_L Ramp-up Rate		3 °C / second max.
Reflow	Temperature (T_L) (Liquidus)	217 °C
	Time (min to max) (t_L)	60 ~ 150 seconds
Peak Temperature (T_P)		260 ^{+0/-5} °C
Time of within 5 °C of Actual Peak Temperature (t_p)		20 ~ 40 seconds
Ramp-down Rate		6 °C / second max.
Time from 25 °C to Peak Temperature		8 Minutes max.
Do Not Exceed		260 °C

TVS Diodes

Transient Voltage Suppression Diodes

SM8TxxCA Series

Packaging Information

Tape	Symbol	Dimension	
		Millimeters	Inches
	A ₀	10.80 ± 0.30	0.425 ± 0.012
	B ₀	16.13 ± 0.30	0.635 ± 0.012
	C	330.00 ± 0.30	13.000 ± 0.012
	D ₀	1.55 ± 0.20	0.061 ± 0.008
	D ₁	1.55 ± 0.20	0.061 ± 0.008
	E	1.75 ± 0.20	0.069 ± 0.008
	E ₁	13.30 ± 0.20	0.524 ± 0.008
	F	11.50 ± 0.20	0.453 ± 0.008
	P ₀	4.00 ± 0.20	0.157 ± 0.008
	P ₁	16.00 ± 0.20	0.630 ± 0.008
	P ₂	2.00 ± 0.20	0.079 ± 0.008
	W	24.00 ± 0.20	0.945 ± 0.008
	W ₁	25.85 ± 0.20	1.018 ± 0.008

Part Number	Package	QTY (Reel)	Packaging Option	Packaging Specification
SM8TxxCA	DO-218AB	750 PCS	Tape & Reel 13" reel	EIA STD RS-481

Glossary

Item	Description
V_C	Clamping Voltage Voltage across TVS in a region of low differential resistance that serves to limit the voltage across the device terminals.
V_R	Reverse Stand-off Voltage Maximum voltage that can be applied to the TVS without operation. NOTE : It is also shown as V_{WM} (maximum working voltage (maximum d.c. voltage)) and known as rated stand-off voltage (V_{SO}).
I_R	Reverse Leakage Current Current measured at V_R . NOTE : Also shown as I_D for stand-by current.
V_{BR}	Breakdown Voltage Voltage across TVS at a specified current I_T in the breakdown region.
I_{PPM}	Rated Random Recurring Peak Impulse Current Maximum-rated value of random recurring peak impulse current that may be applied to a device.
$P_{M(AV)}$	Rated Average Power Dissipation Maximum-rated value of power dissipation resulting from all sources, including transients and standby current, averaged over a short period of time.
P_{PPM}	Rated Random Recurring Peak Impulse Power Dissipation Maximum-rated value of the product of rated random recurring peak impulse current (I_{PPM}) multiplies by specified maximum clamping voltage (V_C).
C_J	Capacitance Capacitance across the TVS measured at a specified frequency and voltage.
V_{FS}	Peak Forward Surge Voltage Peak voltage across an TVS for a specified forward surge current (I_{FS}) and time duration. NOTE : Also shown as V_F .
I_{FS}	Forward Surge Current Pulsed current through TVS in the forward conducting region. NOTE : Also shown as I_F .
$\alpha_{V(BR)}$	Temperature Coefficient of Breakdown Voltage The change of breakdown voltage divided by the change of temperature.
I_{PP}	Peak pulse Current Peak pulse current value applied across the TVS to determine the clamping voltage V_C for a specified wave shape.
I_T	Pulsed D.C. Test Current Test current for measurement of the breakdown voltage V_{BR} . This is defined by the manufacturer and usually given in milliamperes with a pulse duration of less than 40 ms. NOTE : Also shown as I_{BR} .

—(GB-T 18802.321 / IEC 61643-321 / JESD210A)



ATTENTION

Usage

1. TVS must be operated in the specified ambient temp.
2. Do not clean the TVS with strong polar solvent such as ketone, esters, benzene and halogenated hydrocarbon, to avoid damaging the encapsulating layer.
3. Please do not apply severe vibration, shock or pressure to TVS, to avoid element cracking.

Replacement

1. If TVS is visually damaged, please replace it.
2. TVS is a non-repairable product. For safety sake, please use equivalent TVS for replacement.

Storage

1. Storage Temp. Range: (-55 to 150) °C.
2. Do not store the TVS at the high temp., high humidity or corrosive gas environment, to avoid influencing the solder- ability of the lead wires. The product shall be used up within 1 year after receiving the goods.

Environmental Conditions

1. TVS should not be exposed to the open air, nor direct sunshine.
2. TVS should avoid rain, water vapor or other condition of high temp. and high humidity.
3. TVS should avoid sand dust, salt mist, or other harmful gases.

Max. Typical Capacitance of TVS

The typical capacitance of TVS is listed in the specifications. Designers may refer to it when designing TVS in High frequency circuit.

Installation Mechanical Stress

1. Do not knock TVS when installing, to avoid mechanical damage.
2. Please do not apply severe vibration, shock or pressure to TVS, to avoid surface resin or element cracking.

Automotive TVS Diodes (Surface Mount) Feature Overview

Package Type	Series													
	DO-214AA	DO-214AB	DO-214AC	DO-218AB	ASMB	ASMB-VR	ASMC	ASMC-VR	ASMD	A5.0SMD	SM8SxxA	SM8SxxCA	SM8TxxA	SM8TxxCA
Product Outline (mm)														
V_R / V_{WM} (V) Reverse Stand-off Voltage	5.8 ~ 468	5.0 ~ 440	5.8 ~ 553	5.0 ~ 440	5.8 ~ 51	5.0 ~ 440	12.0 ~ 170	10.0 ~ 43.0	12.0 ~ 43.0	20.0 ~ 43.0	33.0 ~ 36.0			
P_{PPM} (W) (10/1000 μ s) Rated Peak Impulse Power Dissipation	400		600		1500		3000	5000	6600		8000			
Operating Temperature ($^{\circ}$ C)	-55 to +150										-55 to +175			